

DOMUSLIFT®



⋮ Your
personal lift



::: Free from stairs



DomusLift is the elevator designed to meet your vertical mobility needs in both **public and private** buildings. It is the ideal solution for elderly and impaired mobility people who gain independence and freedom from stairs.

Thanks to the new **automatic sliding and folding doors**, the automatic operation can be deployed for a user-friendly use just like any traditional lift.

It enhances any environment and thanks to the special **Light-Touch** by Giugiaro, **Classic**, **Art Line** and **Luxury Collection with Bisazza mosaic** models adds exclusive style and elegance.

A wide range of accessories and finishes, as well as the S-Small and XL versions (designed respectively for small spaces and for a larger car) make DomusLift ideal for any need.

- Quiet and easy to install
- Power consumption like any household electrical appliance
- Connects to any electrical outlet
- Requires a small space
- Removes architectural barriers
- 3-year warranty
- Available in 54 models, indoor and outdoor

⋮ Elegance and style



Being elegant, quiet and discrete allows DomusLift to perfectly fit any environment, new or existing.

The elegance of DomusLift is created by the sleek anodised aluminium structure and the standard panoramic glass door which provides optimum light and visibility.

It is a truly modern product, designed and manufactured to meet a wide range of needs and tastes. From the garage to the roof, DomusLift travels effortlessly up to five floors.





Masonry shaft

DomusLift can also be installed within your house. It serves period and modern buildings without affecting their style.



**Special version
with 55-mm pit**
(2520 mm headroom)

Technical data

Travel	12 m max
Pit	100 mm min upon request: 55 mm
Headroom	2450 mm min
Rated load	250 - 300 Kg
No. of stops	5 max
Speed	0,15 m/s max
Rated power	1,1 kW
Supply voltage	230 V single-phase

⋮ A user-friendly home



Easy

DomusLift quick installation procedure requires minimum builder's work. The installation also needs limited regulatory approval and benefits from reduced maintenance costs and low energy consumption by using the normal household 230V outlets.

Safe

With the car being fully enclosed on three sides and the use of internal photocell sensors, passenger safety is always guaranteed. An operating key is located on the push button panel to prevent unauthorised use. In the event of a complete power failure the car is automatically brought to a landing allowing passengers to safely exit.

Accessible

DomusLift is an affordable solution with accessories ideal for those with impaired mobility or special needs.

The push button control panel is located at a comfortable and accessible height.

The remote control provides full operation of the powered door opening and landing calls.

The XL version is especially designed to provide you with greater space and load.

Reliable

Three-year warranty.

::: Comfort & practicality



Thanks to the new models with automatic sliding (see page 12) or folding (as shown in the picture) doors, the automatic operation can be deployed. Thus the operation is user-friendly and similar to a traditional lift. A new easy concept for this product.



Aluminium shaft structure

DomusLift travels inside a robust and elegant aluminium structure, called shaft structure.



Power unit

The standard controller is provided in a special cabinet of small dimensions (600x280x1000mm). It can be easily concealed in the cellar or garage, because it can be installed up to 7 metres far from the DomusLift.



⋮ Functionality everywhere



Public areas

Thanks to DomusLift, shops and restaurants, shopping centres, offices, hotels and factories offer easy access to all levels. Easy and quick to install, DomusLift is the ideal solution for complete mobility within public and working areas.

The wide choice of models and features enables DomusLift to meet any requirement within a new or existing building. Installation flexibility, large service capacity and elegant aesthetics are just some of the DomusLift key features.



In the case of existing buildings with especially reduced and tight spaces, the DomusLift is the ideal solution.



Outdoor

DomusLift can be easily installed outdoors. It requires minimal builder's work without affecting the architectural context and integrity of the building whilst offering easy access to all floors. The all-aluminium structure can be painted and finished to complement the building and provide durability.



High-Tech Design

The DomusLift elegance is now further enriched with Giugiaro Architettura Design innovative lighting system, creating new in-car environments and atmospheres and the subtle sophistication of the touch screen control panel.



lighttouch

by

GIUGIARO
ARCHITETTURA



Classic style

The DomusLift Classic range is designed for those who love the warmth and natural beauty of wood. The “wood effect” is obtained by a special painting method on the aluminium structure.



classic



::: High-class decor



High-class decor, innovative materials and design create the most aesthetically exclusive personal elevator by combining IGV technology with Bisazza style.



**luxury
collection**
by **BISAZZA**



::: Artistic homelift



The ART LINE is a highly artistic range. The classic stainless steel carrier becomes a décor component and perfectly fits any environment. It's an all new trend compared to traditional lifts.



**ART
Line**



NEW

DomusLift with automatic doors



NEW



The DomusLift range grows thanks to the chances offered by the new European Directive 2006/42/EC (Machinery Directive).

DomusLift is now available in the version with sliding automatic 2- or 4-panel doors, featuring a reduced footprint.

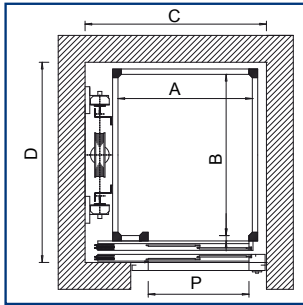
The use of automatic doors allows the elimination of the “hold-to-run” operation by replacing it with the more practical and user-friendly universal automatic operation (APB).

In case of power failure, the automatic return to landing with door opening is carried out.

⋮ Masonry shaft*

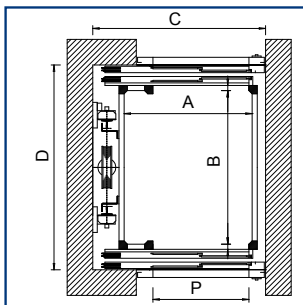
Models for automatic doors

DL - 1C/2T



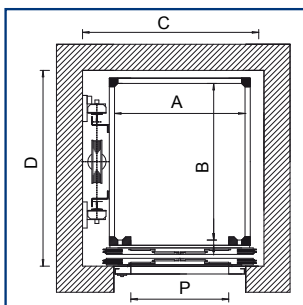
	Icon 1	Icon 2	Icon 3	Icon 4	Icon 5	Icon 6	
A	800	800	950	1000	1000	1100	Car
B	1000	1300	1200	1000	1300	1400	
C	1170	1170	1320	1350	1350	1450	Shaft
D	1290	1590	1490	1290	1590	1690	
P	650	650	750	750	750	800	Door
Kg	400	400	400	400	400	400	Load

DL - 2P/2T



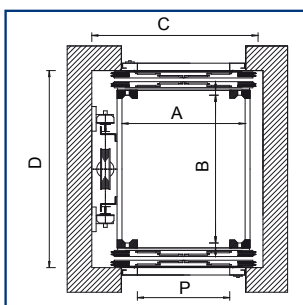
	Icon 1	Icon 2	Icon 3	Icon 4	Icon 5	Icon 6	
A	800	800	950	1000	1000	1100	Car
B	1000	1300	1200	1000	1300	1400	
C	1170	1170	1320	1350	1350	1450	Shaft
D	1400	1700	1600	1400	1700	1800	
P	650	650	750	750	750	800	Door
Kg	400	400	400	400	400	400	Load

DL - 1C/40



	Icon 1	Icon 2	Icon 3	
A	850	1100	1130	Car
B	1200	1400	1400	
C	1350	1450	1600	Shaft
D	1490	1690	1690	
P	800	850	950	Door
Kg	400	400	400	Load

DL - 2P/40



	Icon 1	Icon 2	Icon 3	
A	850	1100	1130	Car
B	1200	1400	1400	
C	1350	1450	1600	Shaft
D	1600	1800	1800	
P	800	850	950	Door
Kg	400	400	400	Load

* Net dimensions between finished walls.

! Wide range of solutions, also available additional dimensions to those listed in the table.

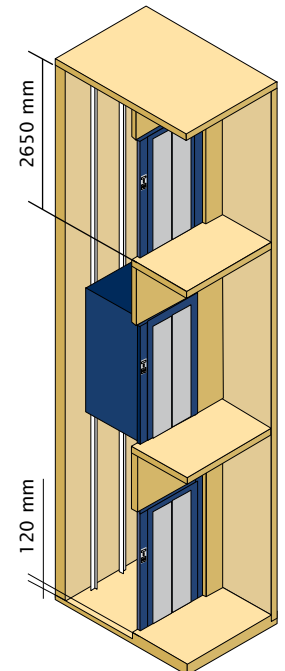
The sill with only 50 mm thickness allows for the reduction the shaft depth.

Panels may be supplied painted, skinplate or stainless steel coated in various versions.

♿ Installation certified for impaired mobility persons.

2T = 2-panel telescopic doors with hinges on left or right

40 = 4-panel doors with centre opening



Technical parameters

Travel	15 m max
Pit	120 mm min.
Headroom	2650 mm min.
Load	400 Kg max
Stops	6 max
Speed	0,15 m/sec max
Rated power	2,2 Kw
Ram	1 o 2 pcs
Access	1 or 2 opposite

Car maximum dimensions A x B = 1200 x 1500
 Minimum car depth B for mod. 1C = 900 mm
 Minimum car depth B for mod. 2P = 950 mm

For any special requirements, for solutions with metal shaft structure and any special needs or technical support request, our pre-sale department is at your complete disposal.

Colours and accessories

The colour of the original material may differ from those shown below

CAR WALLS

Skinplate - Finishes suitable also for shaft structure cladding



Coated chipboard



Plastic laminate

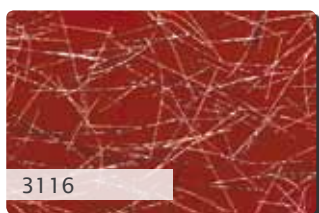
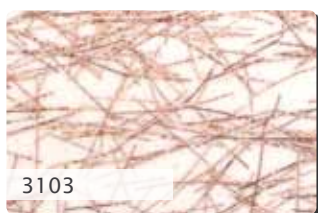


CAR WALLS

Botanic Line - Plastic laminated



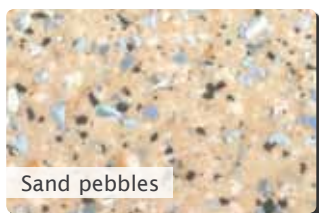
Pennystone Line - Plastic laminated with copper inserts



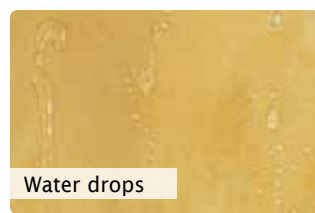
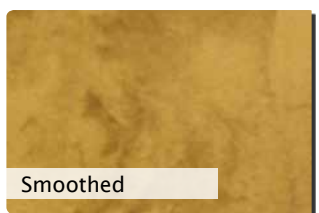
Frost Line - Silver



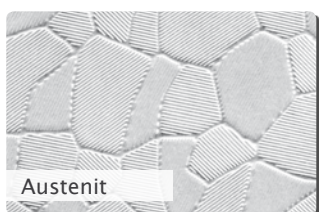
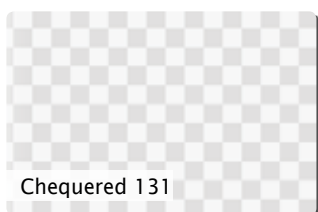
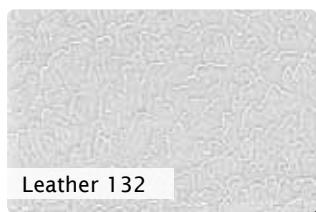
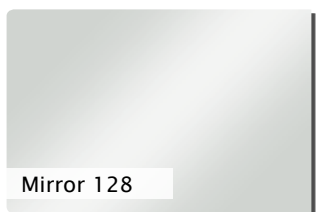
Spark Line - Plastic laminated with aluminium inserts



Resins - Colours and processing highly customisable



Stainless steel - Finishes suitable also for shaft structure cladding



Colours and accessories

The colour of the original material may differ from those shown below

CAR WALLS AND SHAFT STRUCTURE

Glass



Serigraph effect



Coloured



Milk white



Transparent



Stopsol



LED backlit walls for a unique atmosphere, or customisable with one of your favourite pictures.

Only available for 800 mm walls, push-button panel wall excluded.



Self-cleaning glass
A special covering for outdoor applications promote:
- break up of organic material under the effect of sunlight
- greater water run off removing dirt.



Photovoltaic cells in safety stratified glass. Full design freedom for glass measures, transparencies or colours. Only for outdoors.



Mirror

CAR LIGHTINGS

Halogen spot - Standard



Car lighting with white ceiling



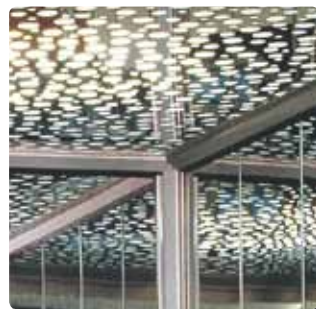
LED spotlights



Car lighting with black ceiling



Firmament

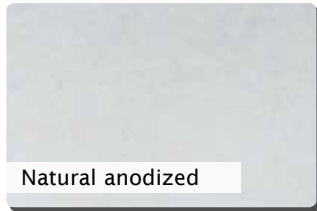


Floral

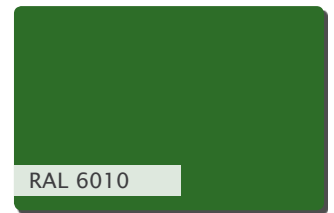
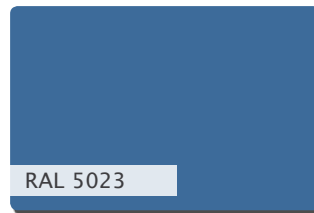
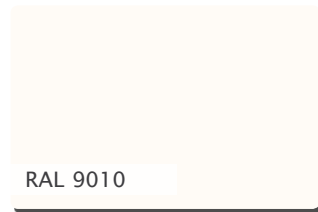
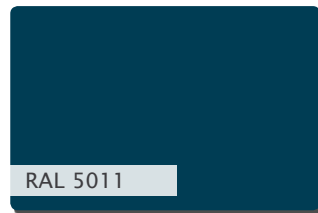


CAR PROFILES, DOORS AND SHAFT STRUCTURE

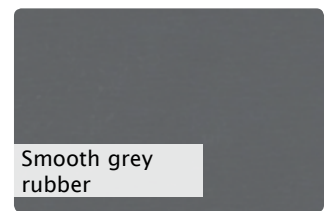
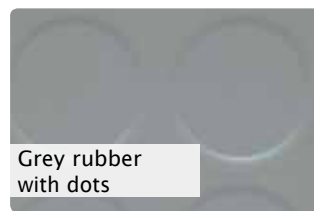
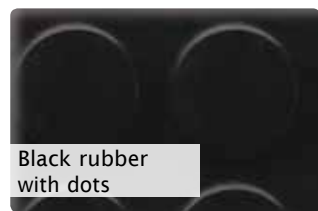
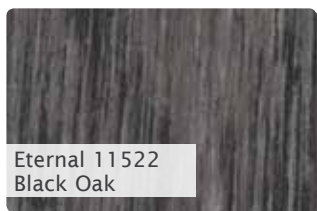
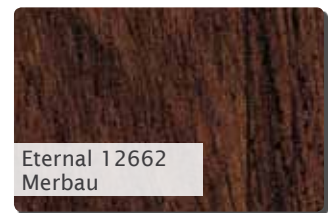
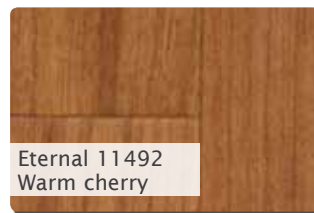
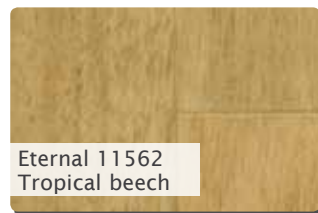
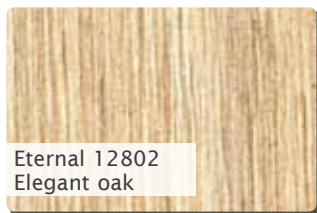
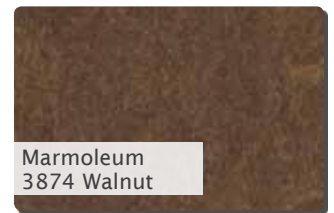
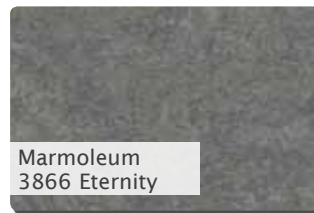
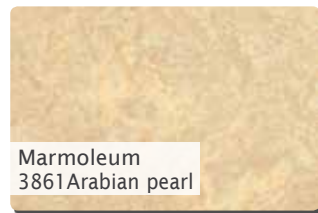
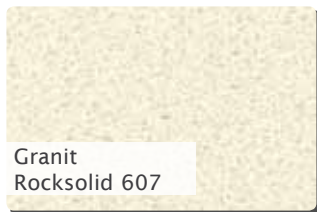
Aluminium - Standard



Aluminium with wood effect painting



CAR FLOORS



Colours and accessories

The colour of the original material may differ from that shown below

PUSH BUTTON PANELS

Embedded in the round polish stainless steel handrail with standard pushbuttons



Embedded in the round polish stainless steel handrail with maxi pushbuttons



Flat handrail integrated
NEW - polish and satin effect



NEW - wood effect

 Pine  Dark walnut



Standard - Stainless steel



Maxi push-buttons



Golden - Stainless steel



Module



Touch Screen with domotic interface
- only for car



Tricolor display
- only for Module



HANDRAIL

Flat



Rounded



DOOR HANDLE

Standard



Natural anodised aluminium

Golden



DOORS



B - PANORAMIC ALUMINIUM
 Standard door with retractable door closer, aluminium profiles and wide glass window

- FINISHES**
- anodised aluminium
 - RAL painted



C1 - BLIND
 Fire-rated doors type:
 C2 - REI 60
 C3 - REI 120

Steel door

- FINISHES**
- primed
 - RAL painted
 - coated



D - VISION PANEL
 Fire-rated doors type:
 D1 - BELGIUM
 D2 - BS476 - UK

Steel and glass door

- FINISHES**
- primed
 - RAL painted



E - PANORAMIC IRON
 Steel and glass door

- FINISHES**
- primed
 - RAL painted



V1 - PANORAMIC
 Total glass door

- FINISHES**
- stainless steel



Example of aluminium door with special "wood effect" painting, artistic glass with flowers, golden handle and pushbutton panel

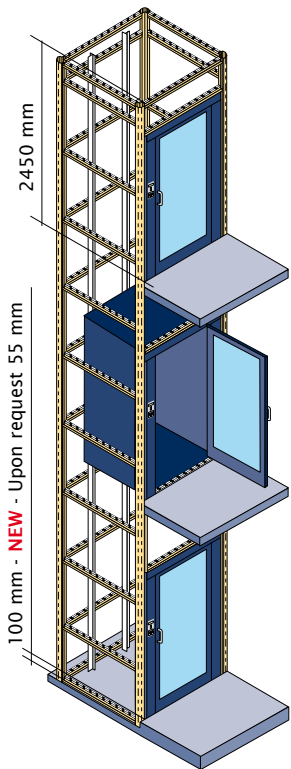
Aluminium shaft**

Standard models

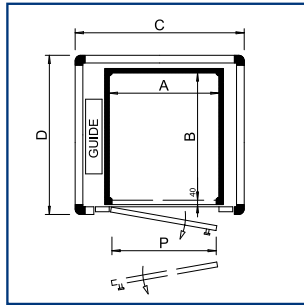
** Fixing of at least 3 uprights at pit, headroom and each floor level.



DomusLift requires a pit of 100 mm (upon request 55 mm with 2520 mm headroom) or an access ramp. A 2450 mm headroom is enough for a tackle ram system and 2350 mm for telescopic ram.

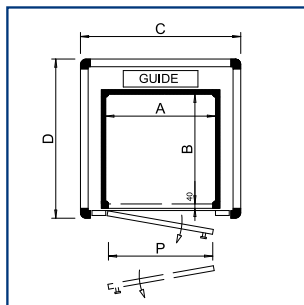


DL-1 C



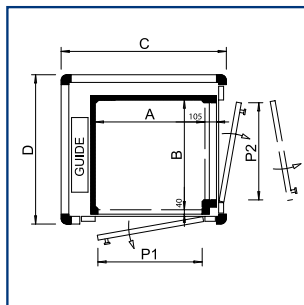
	1C/1	1C/2	1C/3	1C/4	1C/5	1C/6	1C/7	
A	800	800	800	1000	1000	1000	800	Car
B	800	1000	1300	1300	1000	800	1200	
C	1330	1330	1330	1530	1530	1530	1330	Shaft
D	1070	1270	1570	1570	1270	1070	1470	
P	750	750	750	950	950	950	750	Door
Kg	250	250	250	300	250	250	250	Load

DL-1 L



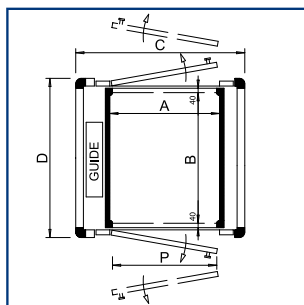
	1L/1	1L/2	1L/3	1L/4	1L/5	1L/6	
A	800	1000	1300	1300	1000	800	Car
B	800	800	800	1000	1000	1000	
C	1250	1450	1700	1700	1450	1250	Shaft
D	1225	1225	1225	1425	1425	1425	
P	750	950	950	950	950	750	Door
Kg	250	250	250	300	250	250	Load

DL-2 A



	2A/1	2A/2	2A/3	2A/4	2A/5	2A/6	
A	800	800	800	1000	1000	1000	Car
B	800	1000	1300	1300	1000	800	
C	1290	1290	1290	1490	1490	1490	Shaft
D	1145	1345	1645	1645	1345	1145	
P1	750	750	750	950	950	950	Door
P2	685	750	950	950	750	685	Door
Kg	250	250	250	300	250	250	Load

DL-2 P



	2P/1	2P/2	2P/3	2P/4	2P/5	2P/6	2P/7	
A	800	800	800	1000	1000	1000	800	Car
B	800	1000	1300	1300	1000	800	1200	
C	1330	1330	1330	1540	1545	1530	1330	Shaft
D	1040	1240	1540	1540	1240	1040	1440	
P	750	750	750	950	950	950	750	Door
Kg	250	250	250	300	250	250	250	Load

The DomusLift lifting platform complies with the Machinery Directive 2006/42/EC (29 Dec 2009) and with all current requirements.

Accessories:

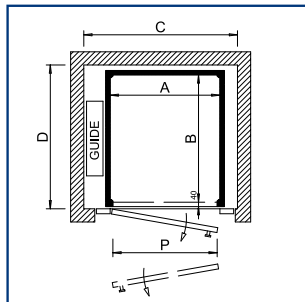
- fully operational remote control (call, door opening and floor change)
- automatic door opening
- voice synthesiser when stopping at a landing
- car display
- phone alarm device
- gong (sound signal at landing)



Brick built or concrete hoistway*

Standard models

DL-1C



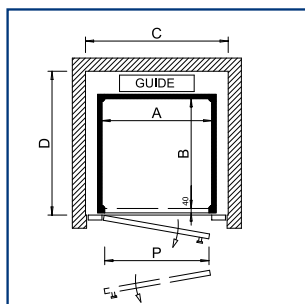
	1C/1	1C/2	1C/3	1C/4	1C/5	1C/6	1C/7	
A	800	800	800	1000	1000	1000	800	Car
B	800	1000	1300	1300	1000	800	1200	
C	1160	1160	1160	1360	1360	1360	1160	Shaft
D	950	1150	1450	1450	1150	950	1350	
P	750	750	750	950	950	950	750	Door
Kg	250	250	250	300	250	250	250	Load

* Clear width between shaft walls.



A wide range is available, with dimensions different from the standard models.

DL-1L

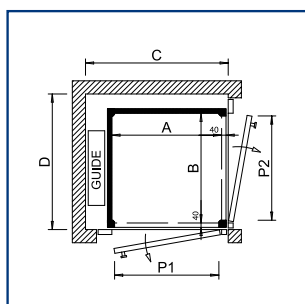


	1L/1	1L/2	1L/3	1L/4	1L/5	1L/6	
A	800	1000	1300	1300	1000	800	Car
B	800	800	800	1000	1000	1000	
C	1030	1230	1530	1530	1230	1030	Shaft
D	1110	1110	1110	1310	1310	1310	
P	750	950	950	950	950	750	Door
Kg	250	250	250	300	250	250	Load



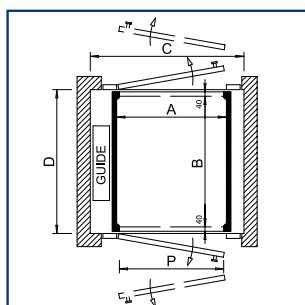
Equipment type-approved to transport impaired persons.

DL-2A

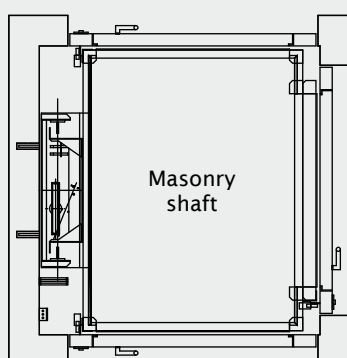
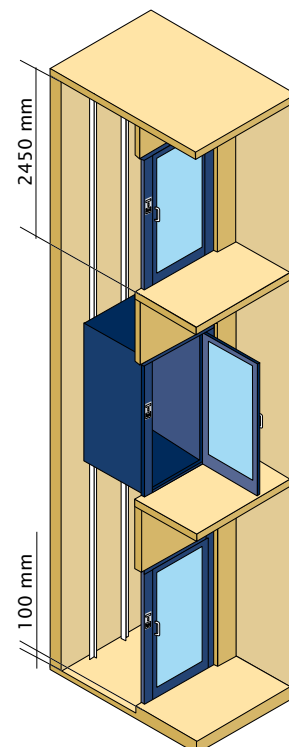


	2A/1	2A/2	2A/3	2A/4	2A/5	2A/6	
A	800	800	800	1000	1000	1000	Car
B	800	1000	1300	1300	1000	800	
C	1110	1110	1110	1310	1310	1310	Shaft
D	980	1180	1480	1480	1180	980	
P1	750	750	750	950	950	950	Door
P2	750	950	950	950	950	750	Door
Kg	250	250	250	300	250	250	Load

DL-2P



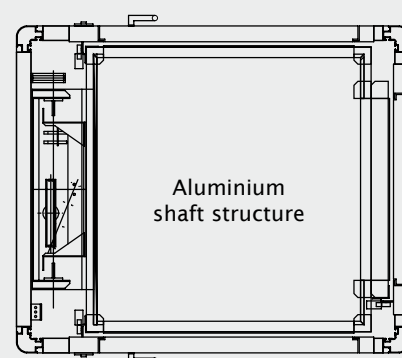
	2P/1	2P/2	2P/3	2P/4	2P/5	2P/6	2P/7	
A	800	800	800	1000	1000	1000	800	Car
B	800	1000	1300	1300	1000	800	1200	
C	1160	1160	1160	1360	1360	1360	1160	Shaft
D	920	1120	1420	1420	1120	920	1320	
P	750	750	750	950	950	950	750	Door
Kg	250	250	250	300	250	250	250	Load



Masonry shaft

Three-access model also available.

Feasibility shall be confirmed by IGV Group SpA technical office.



Aluminium shaft structure

DomusLift® S

Ideal for reduced dimension shafts

The **S-Small** series allows the installation of a DomusLift even in the narrowest of shafts. The minimum car dimensions up to 580x500mm guarantee the correct space for a trouble free lift.

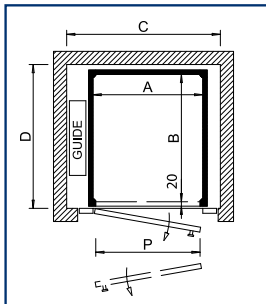
With elegant and refined aesthetics the following features are standard:

- walls made of an uninterrupted single panel, without aluminium profile;
- wide range of finishes: plastic, painted and stainless steel laminate;
- the same accessory range as the standard model, depending on the reduced dimensions.

Same minimum headroom and pit height.

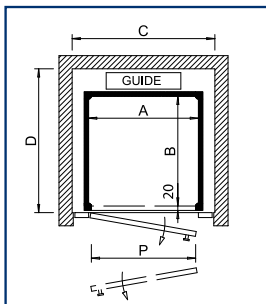
Masonry shaft

DL-1 C



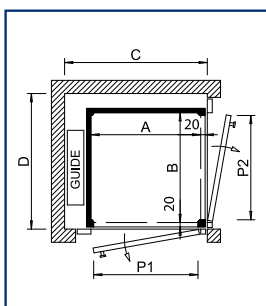
	1CS1	1CS2	
A	800	550	Car
B	800	690	
C	1150	900	Shaft
D	890	780	
P	800	550	Door
Kg	250	250	Load

DL-1 L



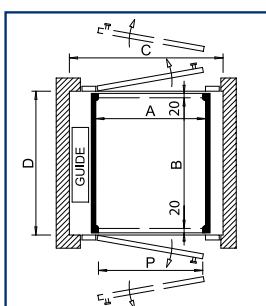
	1LS1	1LS2	
A	800	580	Car
B	800	550	
C	1005	785	Shaft
D	1070	820	
P	800	580	Door
Kg	250	250	Load

DL-2 A



	2AS1	2AS2	
A	795	595	Car
B	795	620	
C	1070	870	Shaft
D	955	780	
P1	750	550	Door
P2	750	575	Door
Kg	250	250	Load

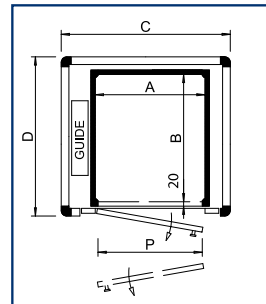
DL-2 P



	2PS1	2PS2	
A	800	550	Car
B	800	700	
C	1150	900	Shaft
D	880	780	
P	800	550	Door
Kg	250	250	Load

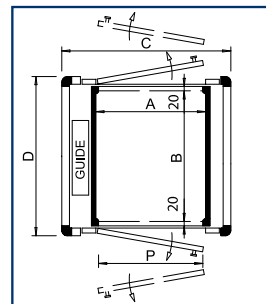
Aluminium shaft

DL-1 C



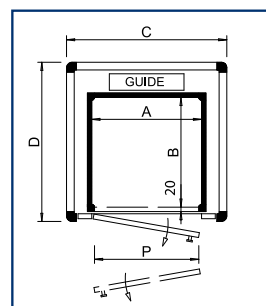
	1CS1	1CS2	
A	800	550	Car
B	800	760	
C	1280	1030	Shaft
D	1020	980	
P	800	550	Door
Kg	250	250	Load

DL-2 P



	2PS1	2PS2	
A	800	550	Car
B	800	780	
C	1280	1030	Shaft
D	1000	980	
P	800	550	Door
Kg	250	250	Load

DL-1 L



	1LS1	1LS2	
A	800	550	Car
B	800	550	
C	1225	975	Shaft
D	1185	935	
P	800	550	Door
Kg	250	250	Load



Measures stated include an edge of about 5 to 10mm for the door side.

DomusLift® XL

Plenty of space

The **DomusLift XL** series was designed to meet the need for larger cars. Thanks to the maximum of 1100x1400mm, the XL series offers plenty of space and high load.

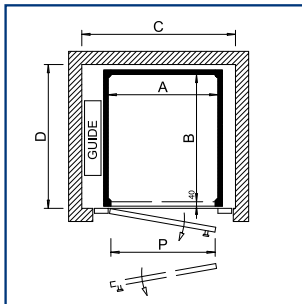
The special elegant features of the DomusLift range can be further enhanced by:

- all-glass panels (guide rails wall excluded);
- wide range of finishes: plastic, painted or stainless steel laminate.

Also available with two adjacent entrances.

Masonry shaft

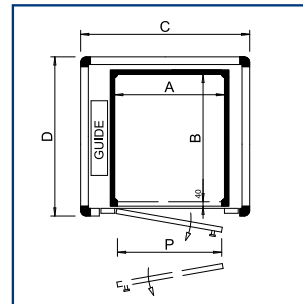
DL-1C/XL



	1C/XL	
A	1100	Car
B	1400	
C	1500	Shaft
D	1550	
P	900	Door
Kg	400	Load

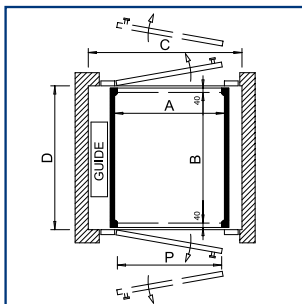
Aluminium shaft*

DL-1C/XL



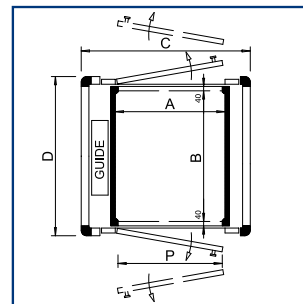
	1C/XL	
A	1100	Car
B	1400	
C	1630	Shaft
D	1660	
P	900	Door
Kg	400	Load

DL-2P/XL



	2P/XL	
A	1100	Car
B	1400	
C	1500	Shaft
D	1520	
P	900	Door
Kg	400	Load

DL-2P/XL



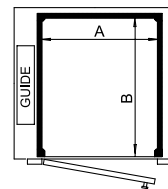
	2P/XL	
A	1100	Car
B	1400	
C	1630	Shaft
D	1640	
P	900	Door
Kg	400	Load

Technical data

Travel	15 m max
Pit	120 mm min
Headroom	2500 mm min
Load	400 Kg
No. of stops	6 max
Speed	0,15 m/s max
Rated power	2.2 kW for 400kg load models
Jack	1 or 2 pieces

* The aluminium shaft solution of this model must undergo IGV Technical Office's approval.

Maximum car dimensions:



- A** max 1200 mm
- B** max 1500 mm



Cabinet dimensions with power unit and controller:

- 720 x 360 x h. 1500 mm (closed), 720 x 1050 x h. 1500 mm (open) for travels up to 12 m
- 950 x 400 x h. 1850 mm (closed), 950 x 850 x h. 1850 mm (open) for travels > 12 m

Glass car panel available for all car walls (car sling side excluded) and maximum load dimension of 1500 mm.



- Design and manufacture of elevators and hoists
- Company built by eng. Giuseppe Volpe
- 20,000 square metres of factory space
- More than 220 employees

Other products:

- Elevators and goods lifts
- Stairlifts with chair and platform
- Pantograph platform for small rise up to 2m

certified by:



member of:



IGV Group SpA

Via Di Vittorio, 21
20060 Vignate, Milan - Italy

Tel. +39 02 951271

Fax +39 02 9560423

www.igvlift.com

www.domuslift.com

Lifts since 1966

made in
Italy

www.domuslift.com